

CELL/TISSUE CULTURING DEVICE AND METHOD

Publication number: DE69718812T

Publication date: 2004-01-22

Inventor: SHAALTIEL YOSEPH (IL)

Applicant: METABOGAL LTD (IL)

Classification:

- International: C12M1/00; C12M1/04; C12M1/12; C12M1/26;
C12M3/02; C12M1/00; C12M1/04; C12M1/12;
C12M1/26; C12M3/02; (IPC1-7): C12M1/04; C12M1/12;
C12M1/26; C12M3/02

- European: C12M1/00E; C12M1/04; C12M1/12B; C12M1/26;
C12M3/02

Application number: DE19976018812T 19970926

Priority number(s): IL19960119310 19960926; WO1997IL00316 19970926

Also published as:

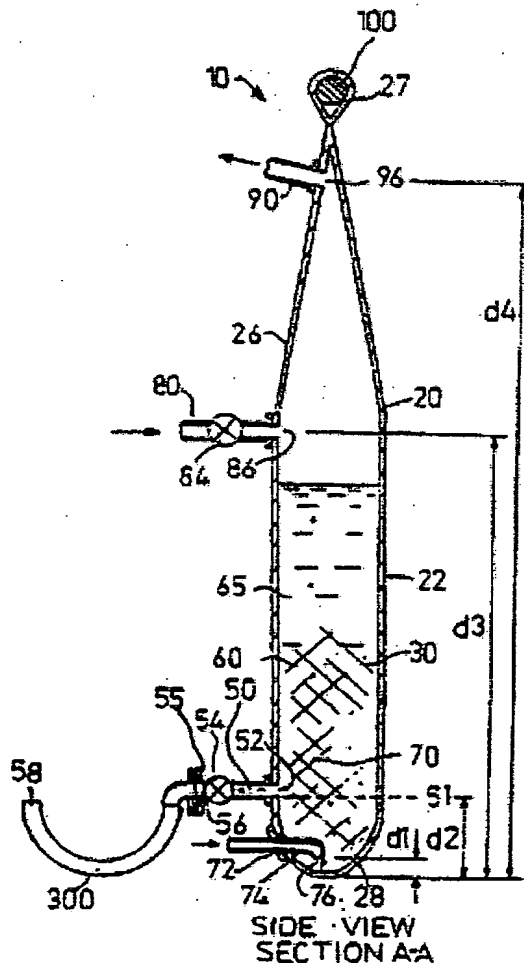
- WO9813469 (A1)
- EP0938544 (A1)
- US6391638 (B1)
- EP0938544 (A0)
- EP0938544 (B1)

more >>

Report a data error here

Abstract not available for DE69718812T.
Abstract of corresponding document: **WO9813469**

A disposable device and method for axenically culturing and harvesting cells and/or tissue in consecutive cycles. The device consists of a sterilisable transparent and/or translucent disposable container which may be at least partially filled with a suitable sterile biological cell and/or tissue culture medium and/or axenic inoculant and/or sterile air and/or required other sterile additives. The container has means for removing excess air and/or waste gases therefrom, and means for introducing the inoculant and/or culture medium and/or additives therein. The device is characterised by having a reusable harvesting means for enabling harvesting of at least a portion of the medium containing cells and/or tissue when desired, thereby enabling the device to be used continuously for at least one subsequent consecutive culturing/harvesting cycle. The portion of medium containing cells and/or tissue remaining from a previously harvested cycle may serve as inoculant for a next culture and harvest cycle, culture medium and/or additives being provided. The device may thus be used continuously in consecutive cycles, and may be disposed of when it becomes contaminated. In a second aspect of the invention, a battery of these devices, suitably interconnected, enables the scale of production of cells/tissues to be adjusted when required.



Data supplied from the esp@cenet database - Worldwide